

bibliotek-o Relations Pattern

NOTE: the following represents the direction taken by the LD4L Labs and LD4P Ontology Group in the development of bibliotek-o and may not be fully formed. This pattern document was used internally to define a direction and is shared with the intention of contextualizing a pattern found within the ontology; terms specified below may not fully align to the ontology as published. Further, discussion of BIBFRAME 2.0 may be out-of-date.

2016 December

This paper examines the properties that describe content relationships between work and/or instance entities in BIBFRAME, including derivative, equivalent, and referential relationships. Several of these properties have direct counterparts in RDA. In the case of derivative and equivalence relationships this paper recommends the use of the unconstrained RDA properties, where RDA provides for a set of more granular subproperties. However, we recommend `bf:references/bf:referencedBy` over `rdau:P60848` (“has referential relationship with”). The latter property is symmetric, and we see clear use cases (such as tracing a path of intellectual influence) where symmetry is not desirable.

We will use BF 2.0 properties except for relationships that we can express with `rdau:P60250` (“is derivative”) and `rdau:P60191` (“has equivalent”) (and their subproperties) and proposed properties for relating events and works.

Accompanying, sequential, and whole/part relationships will be addressed in other discussion papers and/or future work.

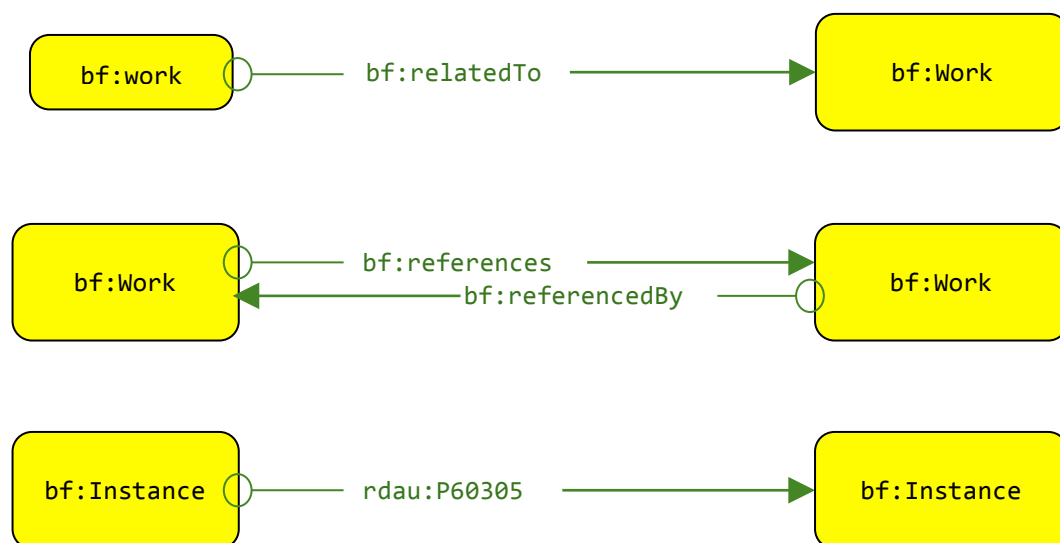
Overview

- Use `bf:relatedTo` subproperties `bf:dataSource`, `bf:expressionOf`, `bf:hasExpression`, `bf:otherEdition`, `bf:referencedBy`, and `bf:references`.
 - See [Serials and Other Multi-Part Works](#) paper for separate discussion of `bf:relatedTo` subproperties `bf:hasPart`, `bf:partOf`, `bf:precededBy`, `bf:succeededBy`, and their subproperties.
- Use [rdau:P60191](#) (“has equivalent”) in lieu of `bf:hasEquivalent`.
- However, use `bf:references/bf:referencedBy` rather than `rdau:P60848` (“has referential resource relationship with”).
- Describe other relationships with `rdau` properties ([rdau:P60250](#) (“is derivative”), its inverse, and their subproperties) and recommend reuse to LC.
 - Use these in lieu of `bf:relatedTo` subproperties `bf:hasDerivative`, `bf:derivativeOf`, `bf:hasReproduction`, `bf:originalVersion`, `bf:originalVersionOf`, `bf:otherPhysicalFormat`, `bf:reproductionOf`, `bf:translation`, `bf:translationOf`.
 - Recommend to RDA governance body that the label for `rdau:P60250` be changed from “is derivative” to “has derivative”.

Considerations for future work

- Reuse of dcterms:relation in lieu of bf:relatedTo.
- Possible alignment to RDA relationship properties for bf:referencedBy and bf:references.
- Discussion of work-to-event relationships, including bf:relatedTo subproperties bf:eventContentOf and bf:eventContent.
- Discussion of bf:relatedTo subproperties bf:hasInstance, bf:instanceOf, bf:hasItem, and bf:itemOf.
- Discussion of bf:relatedTo subproperties bf:accompaniedBy and bf:accompanies (and their respective subproperties).

Approach for Moving Forward



Involved Properties

`bf:dataSource`

Label: Data source

URI: <http://id.loc.gov/ontologies/bibframe/dataSource>

Definition: Resource that is a data source to which the described resource is related. It may contain information about other files, printed sources, or collection procedures.

SubProperty Of: <http://id.loc.gov/ontologies/bibframe/relatedTo>

Used with:

- <http://id.loc.gov/ontologies/bibframe/Work>
- <http://id.loc.gov/ontologies/bibframe/Instance>

`bf:expressionOf`

Label: Expression of

URI: <http://id.loc.gov/ontologies/bibframe/expressionOf>

Definition: Work that the described Work is an expression of. For use to connect Works under FRBR/RDA rules.

SubProperty Of: <http://id.loc.gov/ontologies/bibframe/relatedTo>

Used with: <http://id.loc.gov/ontologies/bibframe/Work>

bf:otherEdition

Label: Other edition

URI: <http://id.loc.gov/ontologies/bibframe/otherEdition>

Definition: Resource has other available editions, for example simultaneously published language editions or reprints.

SubClass Of: <http://id.loc.gov/ontologies/bibframe/derivativeOf>

Used with:

- <http://id.loc.gov/ontologies/bibframe/Work>
- <http://id.loc.gov/ontologies/bibframe/Instance>

bf:referencedBy

Label: Referenced by

URI: <http://id.loc.gov/ontologies/bibframe/referencedBy>

Definition: Resource that references the described resource

SubProperty Of: <http://id.loc.gov/ontologies/bibframe/relatedTo>

Used with:

- <http://id.loc.gov/ontologies/bibframe/Work>
- <http://id.loc.gov/ontologies/bibframe/Instance>
- <http://id.loc.gov/ontologies/bibframe/Item>

bf:references

Label: References

URI: <http://id.loc.gov/ontologies/bibframe/references>

Definition: Resource that is referenced by the described resource.

SubProperty Of: <http://id.loc.gov/ontologies/bibframe/relatedTo>

Used with:

- <http://id.loc.gov/ontologies/bibframe/Work>
- <http://id.loc.gov/ontologies/bibframe/Instance>
- <http://id.loc.gov/ontologies/bibframe/Item>

rdau:P60191

Label: has equivalent

URI: <http://rdaregistry.info/Elements/u/P60191>

Definition: Relates a resource to a resource that carries the same content as the resource.

Subproperties:

- rdau:P60195 "is also issued as"

- rdau:P60197 "is mirror site"
- rdau:P60272 "is reproduced as"
- rdau:P60297 "is reproduction of"
- rdau:P40031 "is equivalent (item)"
- rdau:P30024 "has equivalent (manifestation)"

rdau:P60250

Label: is derivative

URI: <http://rdaregistry.info/Elements/u/P60250>

Definition: Relates a resource to a resource that is a modification of a source resource.

Subproperties:

- rdau:P60115 "is modified by variation as"
- rdau:P60120 "is remade as"
- rdau:P60121 "is set to music as"
- rdau:P60177 "is abstracted in"
- rdau:P60178 "is indexed in"
- rdau:P60180 "is adapted as choreography"
- rdau:P60189 "is freely translated as"
- rdau:P60203 "is abstracted as"
- rdau:P60205 "is summarized as"
- rdau:P60210 "is adapted as libretto"
- rdau:P60214 "is imitated as"
- rdau:P60216 "is expanded as"
- rdau:P60245 "is revised as"
- rdau:P60260 "is adapted as"
- rdau:P60273 "is paraphrased as"
- rdau:P60274 "is arranged as"
- rdau:P60275 "is abridged as"
- rdau:P60279 "is digested as"
- rdau:P60280 "is translated as"
- rdae:P20203 "is derivative (expression)"
- rdau:P60831 "is adapted as oratorio"
- rdau:P60833 "is inspiration for"

rdau:P60305

Label: is based on

URI: <http://rdaregistry.info/Elements/u/P60305>

Definition: Relates a resource to a resource used as the source for a derivative resource.

Subproperties:

- rdau:P60114 "is variations based on"
- rdau:P60223 "is abridgement of"
- rdau:P60224 "is abstract of"
- rdau:P60238 "is digest of"
- rdau:P60241 "is adaptation of"

- rdau:P60242 "is arrangement of"
- rdau:P60243 "is free translation of"
- rdau:P60244 "is translation of"
- rdau:P60266 "is musical setting of"
- rdau:P60289 "is summary of"
- rdau:P60293 "is choreographic adaptation of"
- rdau:P60294 "is expanded version of"
- rdau:P60295 "is remake of"
- rdau:P60296 "is paraphrase of"
- rdau:P60303 "is revision of"
- rdau:P60304 "is libretto based on"
- rdau:P60308 "is abstracts for"
- rdau:P60309 "is indexing for"
- rdau:P60311 "is imitation of"
- rdae:P20204 "is based on (expression)"
- rdau:P60830 "is oratorio adaptation of"
- rdau:P60832 "is inspired by"

Side by Side Examples of Pattern

```
# BIBFRAME2
_:work2 a bf:Work ;
  bf:derivativeOf _:work1 ;
  bf:hasInstance _:inst1 .

_:inst1 a bf:Instance ;
  bf:otherEdition :inst2 .

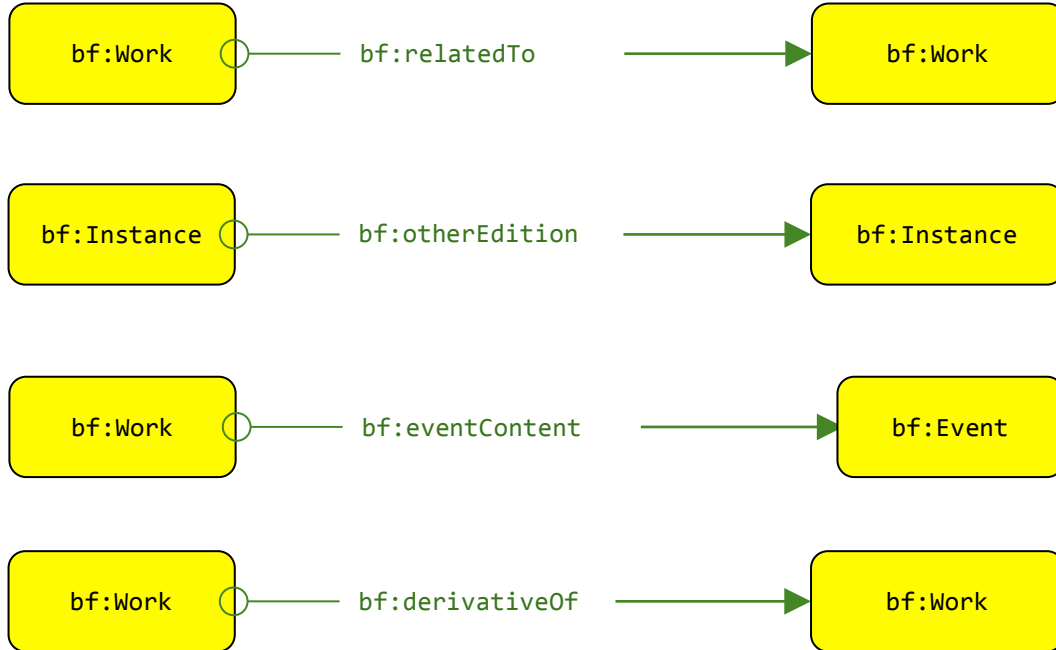
_:work1 a bf:Work ;
  bf:eventContent _:event1 .
```

```
# bibliotek-o
_:work2 a bf:Work ;
  rdau:P60305 _:work1 ;
  bf:hasInstance _:inst1 .

_:inst1 a bf:Instance ;
  bf:otherEdition :inst2 .

_:work1 a bf:Work ;
  bib:recordingOf _:event1 .
```

BF2 Approach to Relations



Involved Properties

dataSource

Label: Data source

URI: <http://id.loc.gov/ontologies/bibframe/dataSource>

Definition: Resource that is a data source to which the described resource is related. It may contain information about other files, printed sources, or collection procedures.

SubProperty Of: <http://id.loc.gov/ontologies/bibframe/relatedTo>

Used with:

- <http://id.loc.gov/ontologies/bibframe/Work>
- <http://id.loc.gov/ontologies/bibframe/Instance>

derivativeOf

Label: Is derivative of

URI: <http://id.loc.gov/ontologies/bibframe/derivativeOf>

Definition: Source work from which the described resource is derived.

SubProperty Of: <http://id.loc.gov/ontologies/bibframe/relatedTo>

Used with:

- <http://id.loc.gov/ontologies/bibframe/Work>
- <http://id.loc.gov/ontologies/bibframe/Instance>

SubProperties:

- <http://id.loc.gov/ontologies/bibframe/translation>
- <http://id.loc.gov/ontologies/bibframe/originalVersion>
- <http://id.loc.gov/ontologies/bibframe/otherEdition>

eventContent

Label: Event content

URI: <http://id.loc.gov/ontologies/bibframe/eventContent>

Definition: Work whose content is the described event.

SubProperty Of: <http://id.loc.gov/ontologies/bibframe/relatedTo>

Used with: <http://id.loc.gov/ontologies/bibframe/Event>

eventContentOf

Label: Has event content

URI: <http://id.loc.gov/ontologies/bibframe/eventContent>

Definition: Event that is the content of the described work.

SubProperty Of: <http://id.loc.gov/ontologies/bibframe/relatedTo>

Used with: <http://id.loc.gov/ontologies/bibframe/Work>

expressionOf

Label: Expression of

URI: <http://id.loc.gov/ontologies/bibframe/expressionOf>

Definition: Work that the described Work is an expression of. For use to connect Works under FRBR/RDA rules.

SubProperty Of: <http://id.loc.gov/ontologies/bibframe/relatedTo>

Used with: <http://id.loc.gov/ontologies/bibframe/Work>

hasDerivative

Label: Has derivative

URI: <http://id.loc.gov/ontologies/bibframe/hasDerivative>

Definition: Resource that is a modification of the described work.

SubProperty Of: <http://id.loc.gov/ontologies/bibframe/relatedTo>

Used with:

- <http://id.loc.gov/ontologies/bibframe/Work>
- <http://id.loc.gov/ontologies/bibframe/Instance>

SubProperties:

- <http://id.loc.gov/ontologies/bibframe/translationOf>
- <http://id.loc.gov/ontologies/bibframe/originalVersionOf>
- <http://id.loc.gov/ontologies/bibframe/otherEditionOf>

hasEquivalent

Label: Equivalence

URI: <http://id.loc.gov/ontologies/bibframe/hasEquivalent>

Definition: Resource embodies the same content as the described resource.

SubProperty Of: <http://id.loc.gov/ontologies/bibframe/relatedTo>

Used with:

- <http://id.loc.gov/ontologies/bibframe/Work>
- <http://id.loc.gov/ontologies/bibframe/Instance>

- <http://id.loc.gov/ontologies/bibframe/Item>

SubProperties:

- <http://id.loc.gov/ontologies/bibframe/otherPhysicalFormat>
- <http://id.loc.gov/ontologies/bibframe/hasReproduction>
- <http://id.loc.gov/ontologies/bibframe/reproductionOf>

hasReproduction

Label: Reproduced as

URI: <http://id.loc.gov/ontologies/bibframe/hasReproduction>

Definition: Resource that reproduces another Resource.

SubProperty Of: <http://id.loc.gov/ontologies/bibframe/relatedTo>

Used with:

- <http://id.loc.gov/ontologies/bibframe/Instance>

otherEdition

Label: Other edition

URI: <http://id.loc.gov/ontologies/bibframe/otherEdition>

Definition: Resource has other available editions, for example simultaneously published language editions or reprints.

SubClass Of: <http://id.loc.gov/ontologies/bibframe/derivativeOf>

Used with:

- <http://id.loc.gov/ontologies/bibframe/Work>
- <http://id.loc.gov/ontologies/bibframe/Instance>

referencedBy

Label: Referenced by

URI: <http://id.loc.gov/ontologies/bibframe/referencedBy>

Definition: Resource that references the described resource

SubProperty Of: <http://id.loc.gov/ontologies/bibframe/relatedTo>

Used with:

- <http://id.loc.gov/ontologies/bibframe/Work>
- <http://id.loc.gov/ontologies/bibframe/Instance>
- <http://id.loc.gov/ontologies/bibframe/Item>

references

Label: References

URI: <http://id.loc.gov/ontologies/bibframe/references>

Definition: Resource that is referenced by the described resource.

SubProperty Of: <http://id.loc.gov/ontologies/bibframe/relatedTo>

Used with:

- <http://id.loc.gov/ontologies/bibframe/Work>
- <http://id.loc.gov/ontologies/bibframe/Instance>
- <http://id.loc.gov/ontologies/bibframe/Item>

relatedTo

Label: Related resource

URI: <http://id.loc.gov/ontologies/bibframe/relatedTo>

Definition: Any relationship between Work, Instance, and Item resources.

Used with:

- [rdfs:Resource](#)

SubProperties:

- <http://id.loc.gov/ontologies/bibframe/accompaniedBy>
- <http://id.loc.gov/ontologies/bibframe/accompanies>
- <http://id.loc.gov/ontologies/bibframe/dataSource>
- <http://id.loc.gov/ontologies/bibframe/derivativeOf>
- <http://id.loc.gov/ontologies/bibframe/eventContent>
- <http://id.loc.gov/ontologies/bibframe/eventContent>
- <http://id.loc.gov/ontologies/bibframe/expressionOf>
- <http://id.loc.gov/ontologies/bibframe/hasDerivative>
- <http://id.loc.gov/ontologies/bibframe/hasEquivalent>
- <http://id.loc.gov/ontologies/bibframe/hasReproduction>
- <http://id.loc.gov/ontologies/bibframe/otherEdition>
- <http://id.loc.gov/ontologies/bibframe/referencedBy>
- <http://id.loc.gov/ontologies/bibframe/references>